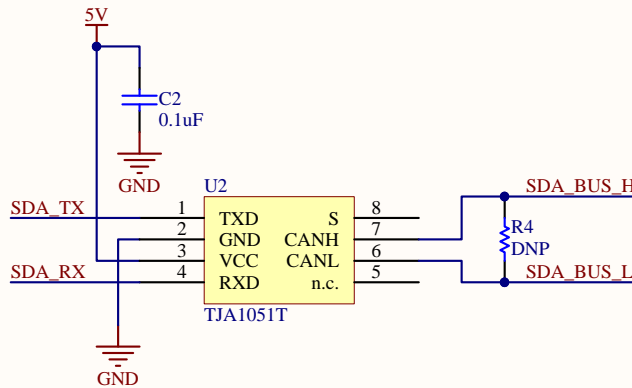
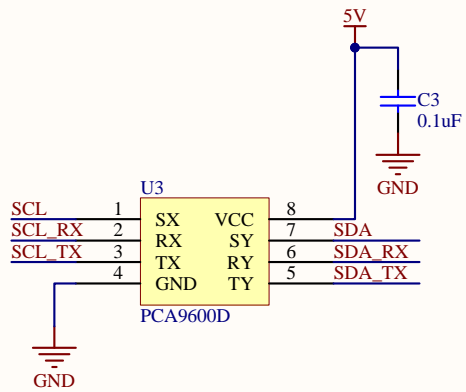
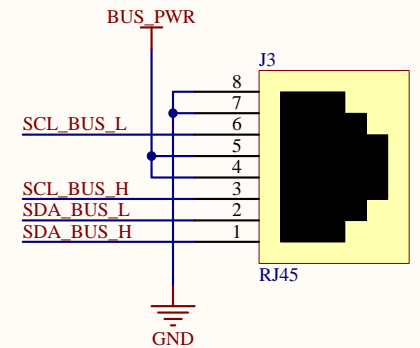
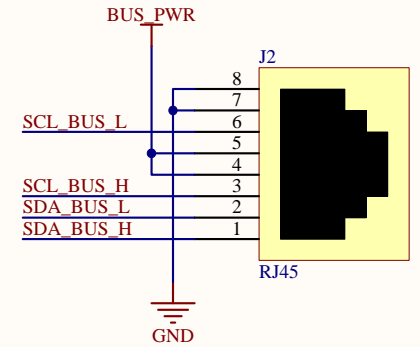
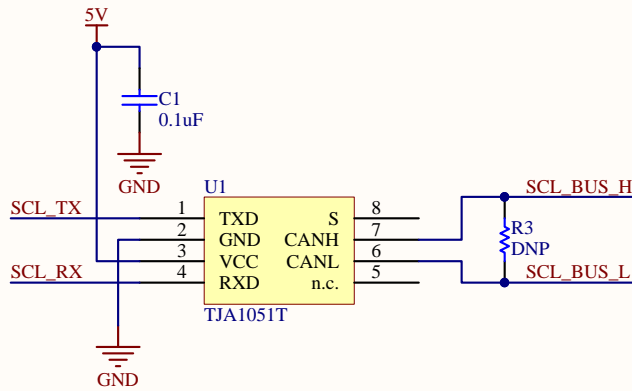


Solder jumpers are normally open. Add jumpers if pullups are needed.



Mayhew Labs LLC

I2C & Power Extender Series
Node Schematic

Rev: A

Date: 9/1/14

Sheet: 1 of 1