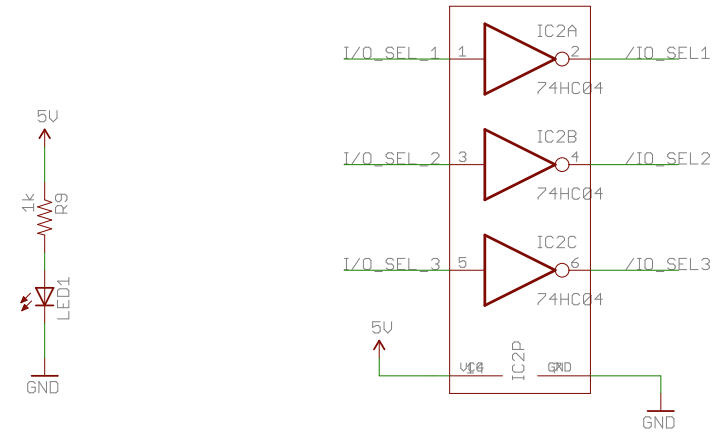
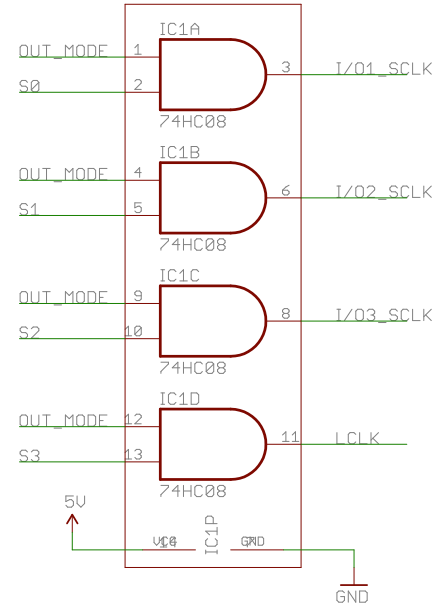
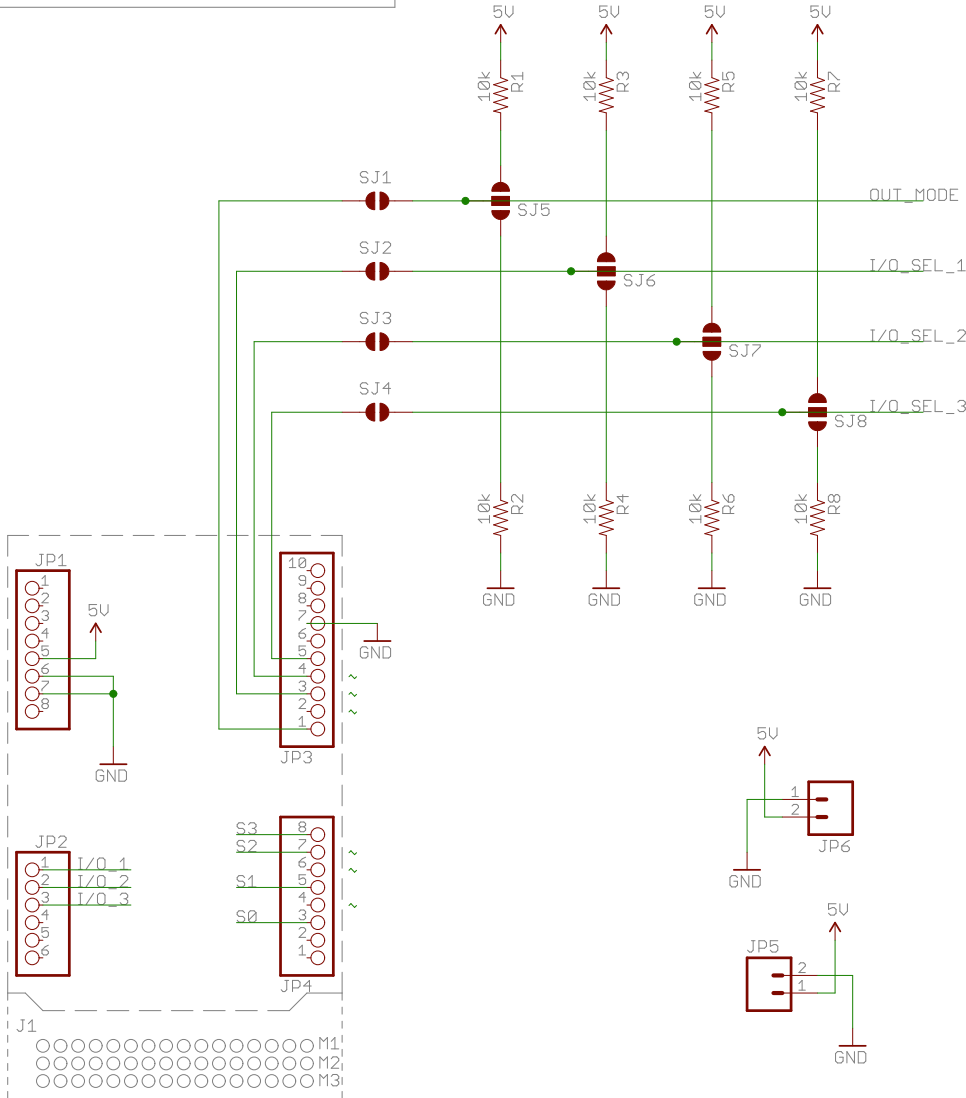


Sheet 1:  
Connectors & Control Logic

Sheet 2:  
Mux/Latch 1 and 2

Sheet 3:  
Mux/Latch 3



MAYHEW LABS LLC

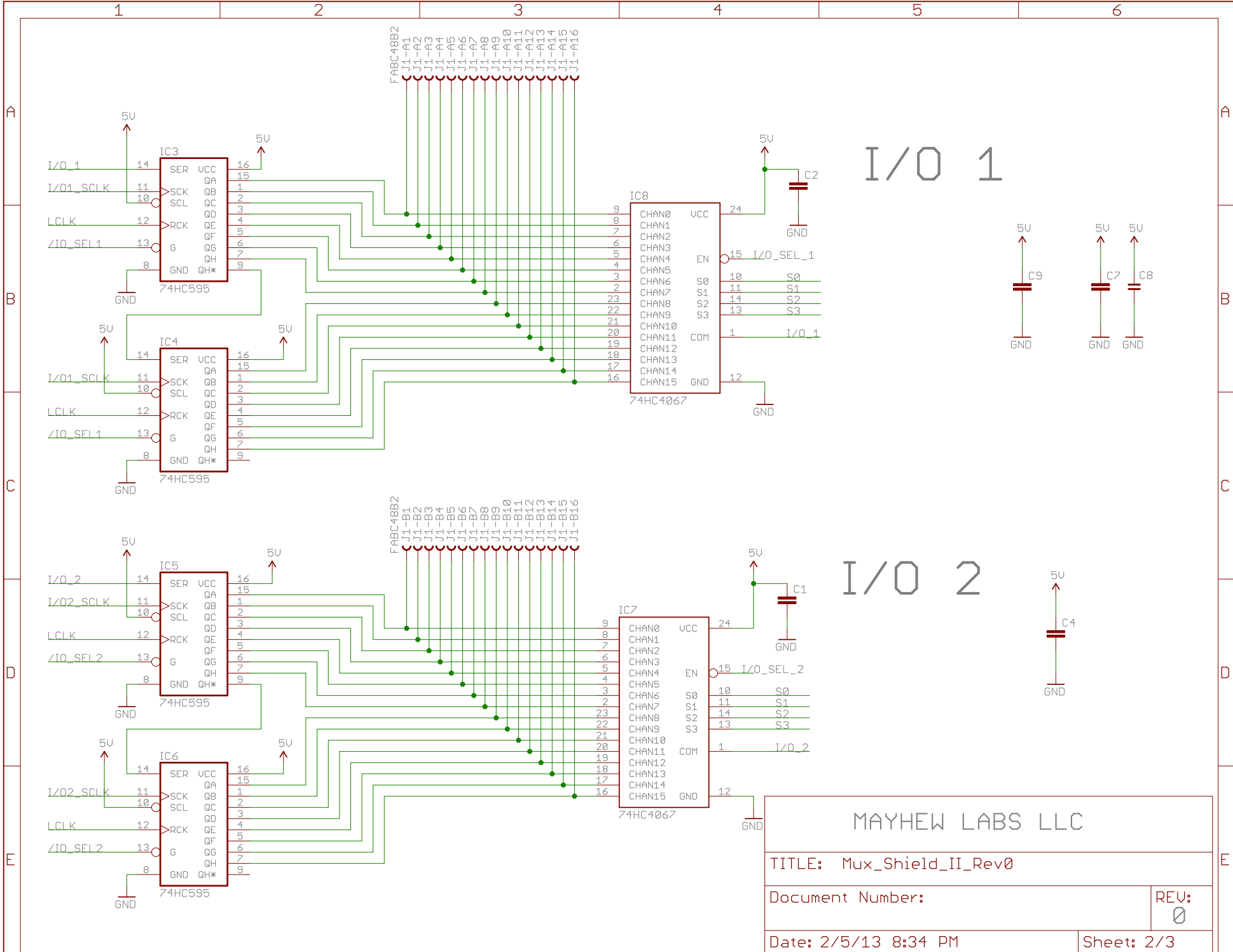
TITLE: Mux\_Shield\_II\_Rev0

Document Number:

REV:  
0

Date: 2/5/13 8:34 PM

Sheet: 1/3



I/O 1

I/O 2

MAYHEW LABS LLC

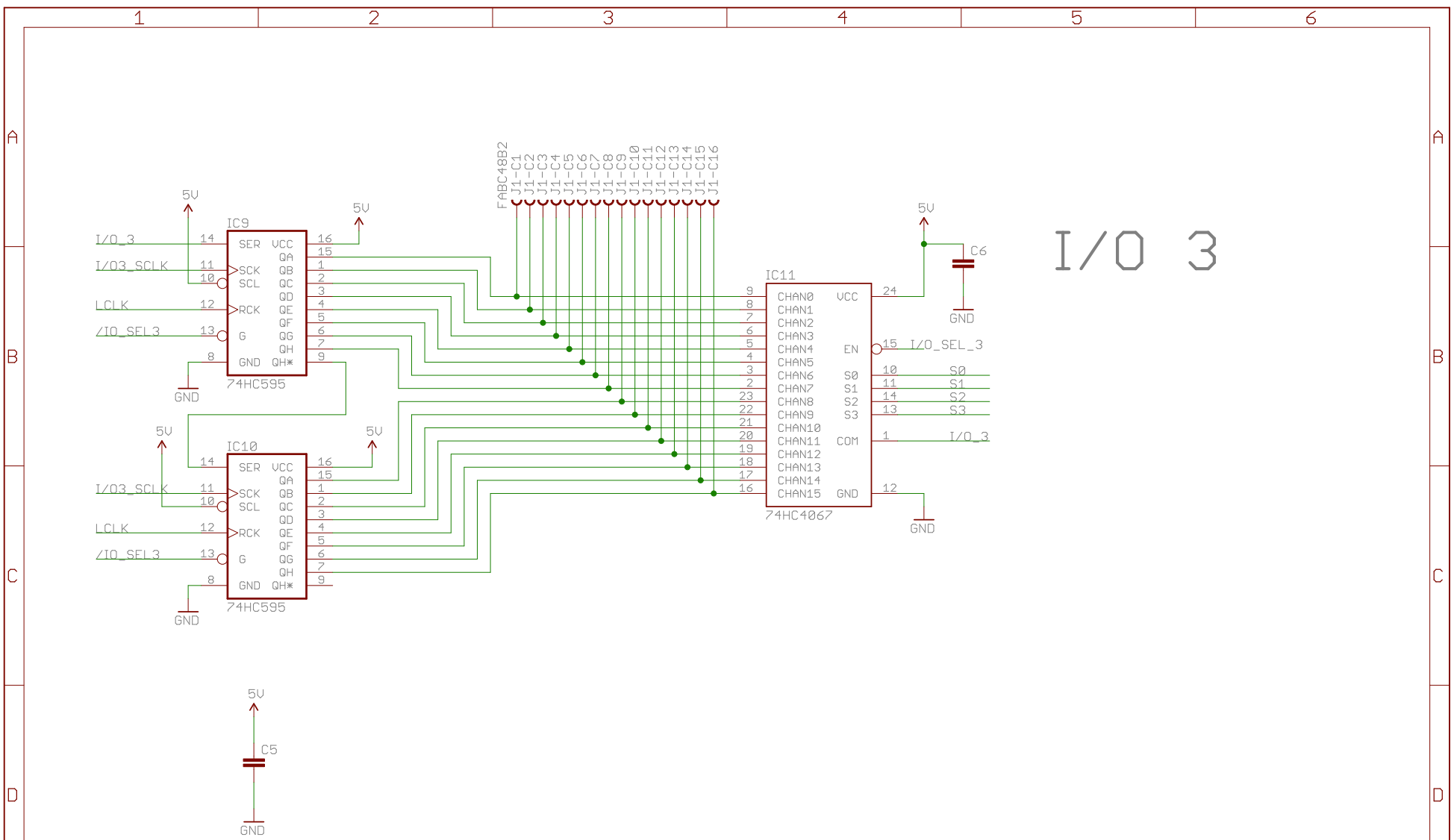
TITLE: Mux\_Shield\_II\_Rev0

Document Number:

REV:  
0

Date: 2/5/13 8:34 PM

Sheet: 2/3



MAYHEW LABS LLC

TITLE: Mux\_Shield\_II\_Rev0

Document Number:

REV:  
0

Date: 2/5/13 8:34 PM

Sheet: 3/3